

WHO

R _____
T _____
O _____

A _____
S _____
Q _____
A _____

I _____
S _____
C _____
S _____

I _____
S _____
C _____
A _____
C _____
A _____

I _____
A _____
S _____
C _____

C _____
O _____
A _____
G _____

HOW

Work within the guidelines

Deliver training and assessment using...

National Regulator for RTOs, using...

Develop

Endorses

Administers

Convenes the...

Develops policy

WHAT

The 3 components below in yellow, together form the: _____
N _____ S _____ F _____

The N _____ V _____ S _____

The A _____ Q _____ F _____

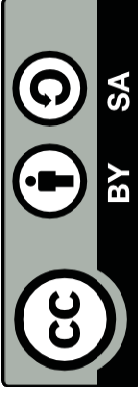
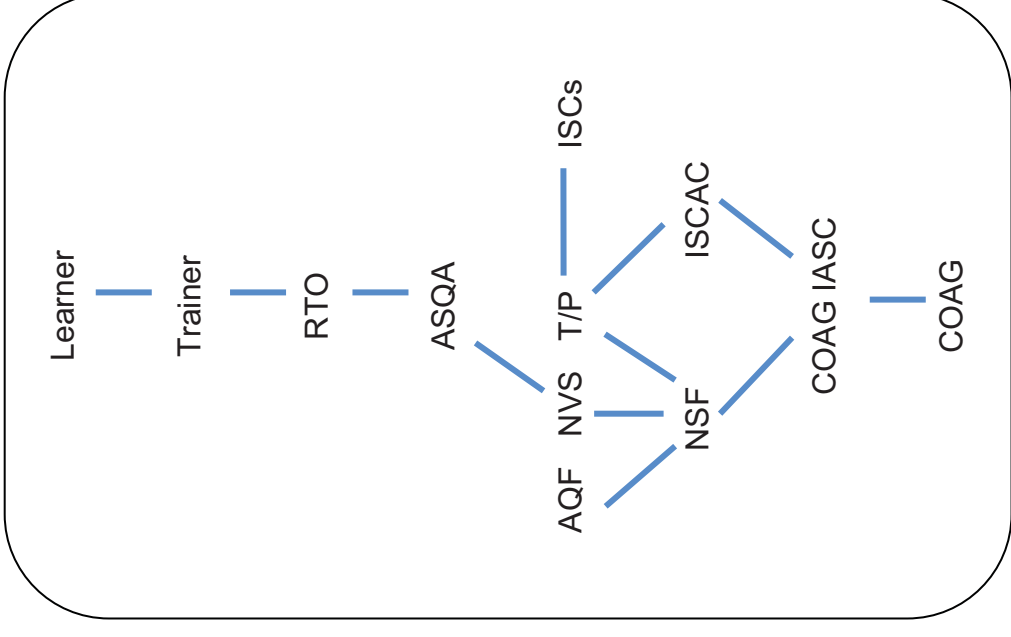
The relevant T _____ P _____

Formerly known as...

The Council of Australian Governments (COAG) Industry and Skills Council **replaces** the Standing Council on Tertiary Education, Skills and Employment (SCOTESE)

At the inaugural meeting of the COAG Industry and Skills Council on 3 April 2014, Ministers agreed that the National Skills Standard Council (NSSC) be dissolved, with its ongoing functions delegated by Ministers to a new Industry and Skills Council Advisory Committee.

Work is underway to establish the new Industry and Skills Council Advisory Committee. It is expected to be in place and operational from mid-2014. An announcement will be made soon...



VET REGULATORY FRAMEWORK